

IE-M12-ADAP A

Weidmüller Interface GmbH & Co. KG
Klingenbergstraße 26
D-32758 Detmold
Germany

www.weidmueller.com



General ordering data

| | |
|------------|---|
| Version | Adapter, angled, RJ45 90°, M12, Cat.5 (ISO/IEC 11801), IP67 |
| Order No. | 8901630000 |
| Type | IE-M12-ADAP A |
| GTIN (EAN) | 4032248653584 |
| Qty. | 1 pc(s). |

Creation date October 3, 2022 6:26:03 PM CEST

Catalogue status 23.09.2022 / We reserve the right to make technical changes.

IE-M12-ADAP A

Weidmüller Interface GmbH & Co. KG

Klingenbergstraße 26

D-32758 Detmold

Germany

www.weidmueller.com

Technical data

Dimensions and weights

| | |
|------------|------|
| Net weight | 36 g |
|------------|------|

Temperatures

| | | | |
|---------------------|----------------|-----------------------|----------------|
| Storage temperature | -40 °C...80 °C | Operating temperature | -25 °C...80 °C |
|---------------------|----------------|-----------------------|----------------|

Environmental Product Compliance

| | |
|------------|----------------|
| REACH SVHC | Lead 7439-92-1 |
|------------|----------------|

Technical data customisable plug-in connectors

| | | | |
|-----------------|-----------------------|-----------------------|-------|
| Category | Cat.5 (ISO/IEC 11801) | Coding | D |
| Contact surface | Gold-plated | Housing main material | PA 66 |
| Number of poles | 4 | Protection degree | IP67 |

General Info

| | | | |
|-------------------|---------------------------|------------------------|-----------------|
| Number of poles | 4 | Connection 1 | RJ45 90° |
| Connection 2 | M12 | Description of article | Adapter, angled |
| Configuration | M12 socket to RJ45 socket | Housing main material | PA 66 |
| Category | Cat.5 (ISO/IEC 11801) | Connection thread | M12 |
| Contact surface | Gold-plated | Shielding | Yes |
| Protection degree | IP67 | | |

Electrical properties

| | | | |
|--------------------|---------|------------------------------------|-----|
| Contact resistance | ≤ 10 mΩ | Current-carrying capacity at 50 °C | 1 A |
|--------------------|---------|------------------------------------|-----|

Standards

| | |
|--------------------|--------------------------------|
| Connector standard | IEC 60603-7-5, IEC 61076-2-101 |
|--------------------|--------------------------------|

General technical specifications

| | | | |
|-----------------|-------------|-----------------------|-------|
| Coding | D | Connection thread | M12 |
| Contact surface | Gold-plated | Housing main material | PA 66 |
| Number of poles | 4 | Protection degree | IP67 |
| Version | angled | | |

Classifications

| | | | |
|-------------|-------------|-------------|-------------|
| ETIM 6.0 | EC000313 | ETIM 7.0 | EC000313 |
| ETIM 8.0 | EC000313 | ECLASS 9.0 | 27-44-03-20 |
| ECLASS 9.1 | 19-17-01-25 | ECLASS 10.0 | 27-44-03-20 |
| ECLASS 11.0 | 27-44-03-20 | ECLASS 12.0 | 27-44-03-20 |

IE-M12-ADAP A

Weidmüller Interface GmbH & Co. KG
Klingenbergstraße 26
D-32758 Detmold
Germany

www.weidmueller.com

Technical data

Approvals

Approvals



| | |
|-------------------------|------------|
| ROHS | Conform |
| UL File Number Search | UL Website |
| Certificate no. (cULus) | E471884 |

Downloads

| | |
|---|---|
| Approval/Certificate/Document of Conformity | GOST Approval PROFINET Manufacturer's Declaration |
| Engineering Data | CAD data – STEP |
| User Documentation | MAN IE GUIDE DE MAN IE GUIDE EN |
| Catalogues | Catalogues in PDF-format |
| Brochures | FL FIELDWIRING EN PI PROFINET CABLING EN PI PROFINET CABLING EN |

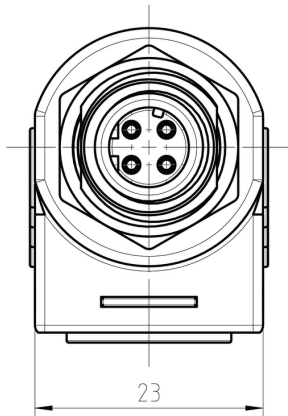
IE-M12-ADAP A

Weidmüller Interface GmbH & Co. KG
Klingenbergstraße 26
D-32758 Detmold
Germany

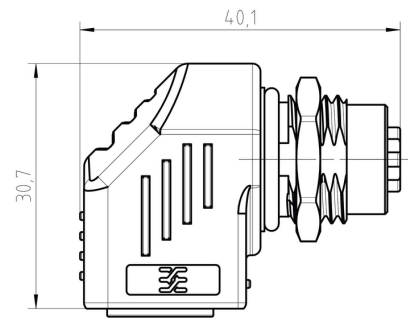
www.weidmueller.com

Drawings

Dimensioned drawing



Dimensioned drawing



Installation cut-out

