

SAI-8-F 5P 5M 0.5/1.0U**Weidmüller Interface GmbH & Co. KG**

Klingenbergstraße 26

D-32758 Detmold

Germany

www.weidmueller.com



M12 distributors are available in various versions. The 4, 6 or 8 M12 slots are in 4 or 5 pole design. The group outlet is designed as a fixed cable version, hood version for connection by the user, or with M23. Special versions are also available. For instance, there are 1-to-1 distributors for use with any connection types, or distributors approved for Ex Zone 1.

General ordering data

| | |
|------------|---|
| Version | Sensor-actuator passive distributor, M12, Fixed cable version, 5 m, Yes |
| Order No. | 9457590000 |
| Type | SAI-8-F 5P 5M 0.5/1.0U |
| GTIN (EAN) | 4032248168101 |
| Qty. | 1 pc(s). |

Creation date October 3, 2022 6:48:43 PM CEST

Catalogue status 23.09.2022 / We reserve the right to make technical changes.

SAI-8-F 5P 5M 0.5/1.0U

Weidmüller Interface GmbH & Co. KG

Klingenbergstraße 26

D-32758 Detmold

Germany

www.weidmueller.com

Technical data

Dimensions and weights

| | | | |
|------------|--------|-----------------|------------|
| Depth | 152 mm | Depth (inches) | 5.984 inch |
| Height | 25 mm | Height (inches) | 0.984 inch |
| Net weight | 991 g | | |

Temperatures

| | |
|-----------------------|------------|
| Operating temperature | -20 - 80°C |
|-----------------------|------------|

Environmental Product Compliance

| | |
|------------|----------------|
| REACH SVHC | Lead 7439-92-1 |
|------------|----------------|

Connection data

| | | | |
|----------------------------|--------|--------------------|---------------------|
| Sheathing stripping length | 100 mm | Distributor outlet | Fixed cable version |
|----------------------------|--------|--------------------|---------------------|

Electrical data

| | | | |
|--------------------------------|------|---|-------------------|
| Rated voltage, min. | 10 V | Rated voltage, max. | 30 V |
| Test voltage | 1 kV | Max. current-carrying capacity per slot | 4 A |
| Total current | 9 A | Current per signal | 2 A |
| Electrical isolation available | No | Insulation strength | 10 ⁹ Ω |

General technical data

| | | | |
|-------------------------------------|-------|-----------------------------|--------|
| Plug-in station coding | A | Protection degree | IP68 |
| Number of poles | 5 | Number of contact sockets | 8 |
| Connection thread | M12 | Pollution severity | 3 |
| Fire behaviour | V-0 | Plugging cycles | ≤ 50 |
| LED | Yes | LED initiator | Yes |
| LED colour for indicating operation | green | LED colour for I/O function | yellow |

Material data

| | | | |
|-----------------------|--------------------|--------------------------|----------------|
| Housing main material | Pocan | Material of distributor | Plastic |
| Housing colour | grey, RAL 7032 | Hood sealing material | Viton |
| Screw socket | Nickel-plated CuZn | Contact material | CuZn |
| Contact surface | Gold-plated | Contact carrier material | PBT (UL 94 V0) |

Technical data cable

| | | | |
|-----------------------------------|--|----------------------------------|--|
| Bending radius, min., moving | 10 x cable diameter | Bending radius, min., stationary | 5 x cable diameter |
| Colour coding | blue, brown, Green/yellow, yellow, grey, green, white, pink, red, black, violet, grey / pink, red / blue, white / green, brown / green, white / yellow, Yellow / brown, grey / brown | Number of poles | 5 |
| O.D. | 12.3 mm | Sheathing colour | Deep black |
| Wire cross section (Print/Online) | 16 x 0.5 mm ² + 3 x 1.0 mm ² | Cable length | 5 m |
| Suitable for cable carriers | Yes | Armoured line | 16 x 0,5 mm ² + 3 x 1 mm ² ; |

Creation date October 3, 2022 6:48:43 PM CEST

Catalogue status 23.09.2022 / We reserve the right to make technical changes.

2

SAI-8-F 5P 5M 0.5/1.0U

Weidmüller Interface GmbH & Co. KG
Klingenbergstraße 26
D-32758 Detmold
Germany

www.weidmueller.com

Technical data

Classifications

| | | | |
|-------------|-------------|-------------|-------------|
| ETIM 6.0 | EC002585 | ETIM 7.0 | EC002585 |
| ETIM 8.0 | EC002585 | ECLASS 9.0 | 27-44-01-08 |
| ECLASS 9.1 | 27-44-01-08 | ECLASS 10.0 | 27-44-01-08 |
| ECLASS 11.0 | 27-44-01-08 | ECLASS 12.0 | 27-44-01-08 |

Approvals

Approvals



| | |
|-------------------------|------------|
| ROHS | Conform |
| UL File Number Search | UL Website |
| Certificate No. (cURus) | E141197 |

Downloads

| | |
|------------------|--|
| Engineering Data | CAD data – STEP |
| Engineering Data | WSCAD |
| Catalogues | Catalogues in PDF-format |
| Brochures | FL FIELDWIRING EN FL FIELDWIRING EN |

Data sheet

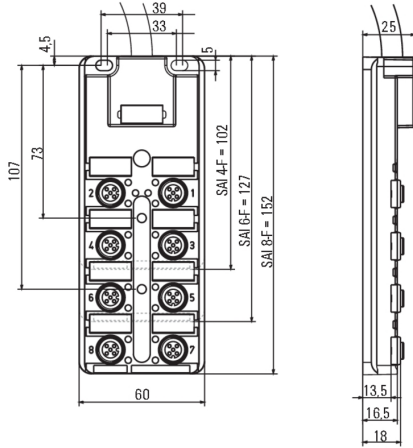
SAI-8-F 5P 5M 0.5/1.0U

Weidmüller Interface GmbH & Co. KG
 Klingenbergstraße 26
 D-32758 Detmold
 Germany

www.weidmueller.com

Drawings

Dimensioned drawing



Wiring diagram

