

**BALDOR® • RELIANCE** 

**Product Information Packet**

**EM3615T**

**5HP,1755RPM,3PH,60HZ,184T,3642M,TEFC,F1**

Part Detail							
Revision:	-	Status:	PRD/A	Change #:		Proprietary:	No
Type:	AC	Elec. Spec:	36WGQ032	CD Diagram:	CD0005	Mfg Plant:	
Mech. Spec:	36G271	Layout:	36LYG271	Poles:	04	Created Date:	12-03-2020
Base:	RG	Eff. Date:	12-15-2020	Leads:	9#16		

Specs			
Catalog Number:	EM3615T	Front Shaft Indicator:	None
Enclosure:	TEFC	Heater Indicator:	No Heater
Frame:	184T	Insulation Class:	F
Frame Material:	Steel	Inverter Code:	Inverter Ready
Motor Letter Type:	Three Phase	KVA Code:	J
Output @ Frequency:	5.000 HP @ 60 HZ	Lifting Lugs:	Standard Lifting Lugs
Synchronous Speed @ Frequency:	1800 RPM @ 60 HZ	Locked Bearing Indicator:	No Locked Bearing
Voltage @ Frequency:	460.0 V @ 60 HZ	Motor Lead Quantity/Wire Size:	9 @ 16 AWG
	230.0 V @ 60 HZ	Motor Lead Exit:	Ko Box
XP Class and Group:	None	Motor Lead Termination:	Flying Leads
XP Division:	Not Applicable	Motor Type:	3642M
Agency Approvals:	NEMA PREMIUM	Mounting Arrangement:	F1
	UR	Power Factor:	78
	CSA EEV	Product Family:	General Purpose
	CSA	Pulley End Bearing Type:	Ball
Auxillary Box:	No Auxillary Box	Pulley Face Code:	Standard
Auxillary Box Lead Termination:	None	Pulley Shaft Indicator:	Standard
Base Indicator:	Rigid	Rodent Screen:	None

<b>Bearing Grease Type:</b>	Polyrex EM (-20F +300F)	<b>Shaft Extension Location:</b>	Pulley End
<b>Blower:</b>	None	<b>Shaft Ground Indicator:</b>	No Shaft Grounding
<b>Current @ Voltage:</b>	14.000 A @ 208.0 V	<b>Shaft Rotation:</b>	Reversible
	6.700 A @ 460.0 V	<b>Shaft Slinger Indicator:</b>	No Slinger
	13.400 A @ 230.0 V	<b>Speed Code:</b>	Single Speed
<b>Design Code:</b>	B	<b>Motor Standards:</b>	NEMA
<b>Drip Cover:</b>	No Drip Cover	<b>Starting Method:</b>	Direct on line
<b>Duty Rating:</b>	CONT	<b>Thermal Device - Bearing:</b>	None
<b>Electrically Isolated Bearing:</b>	Not Electrically Isolated	<b>Thermal Device - Winding:</b>	None
<b>Feedback Device:</b>	NO FEEDBACK	<b>Vibration Sensor Indicator:</b>	No Vibration Sensor
<b>Front Face Code:</b>	Standard	<b>Winding Thermal 1:</b>	None
		<b>Winding Thermal 2:</b>	None

Nameplate NP3441LUA

CAT.NO.	EM3615T							
SPEC	36G271Q032G1							
HP	5							
VOLTS	230/460							
AMPS	13.4/6.7							
RPM	1755							
FRAME	184T		HZ	60		PH	3	
SF	1.15		CODE	J	DES	B	CLASS	F
NEMA NOM. EFF	89.5		PF	78				
RATING	40C AMB-CONT							
CC	010A		USABLE AT 208V			14		
ENCL	TEFC		SER					
DE	6206		ODE	6205				
VPWM INVERTER READY								
CT6-60H(10:1)VT3-60H(20:1								
	50HZ 5HP 190/380V 15.6/7.8A							
	SF1.0							

**AC Induction Motor Performance Data**

Record # 89917

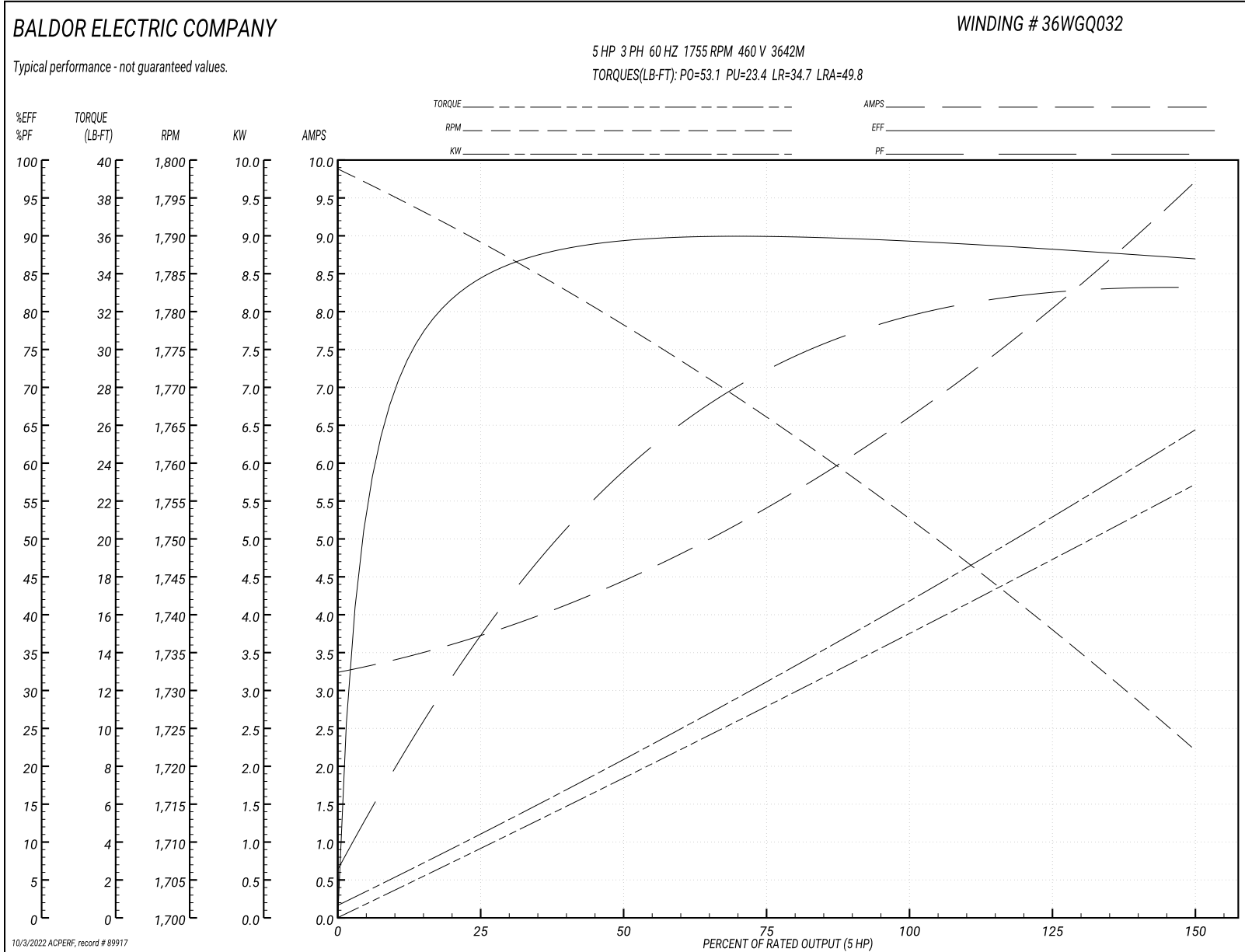
Typical performance - not guaranteed values

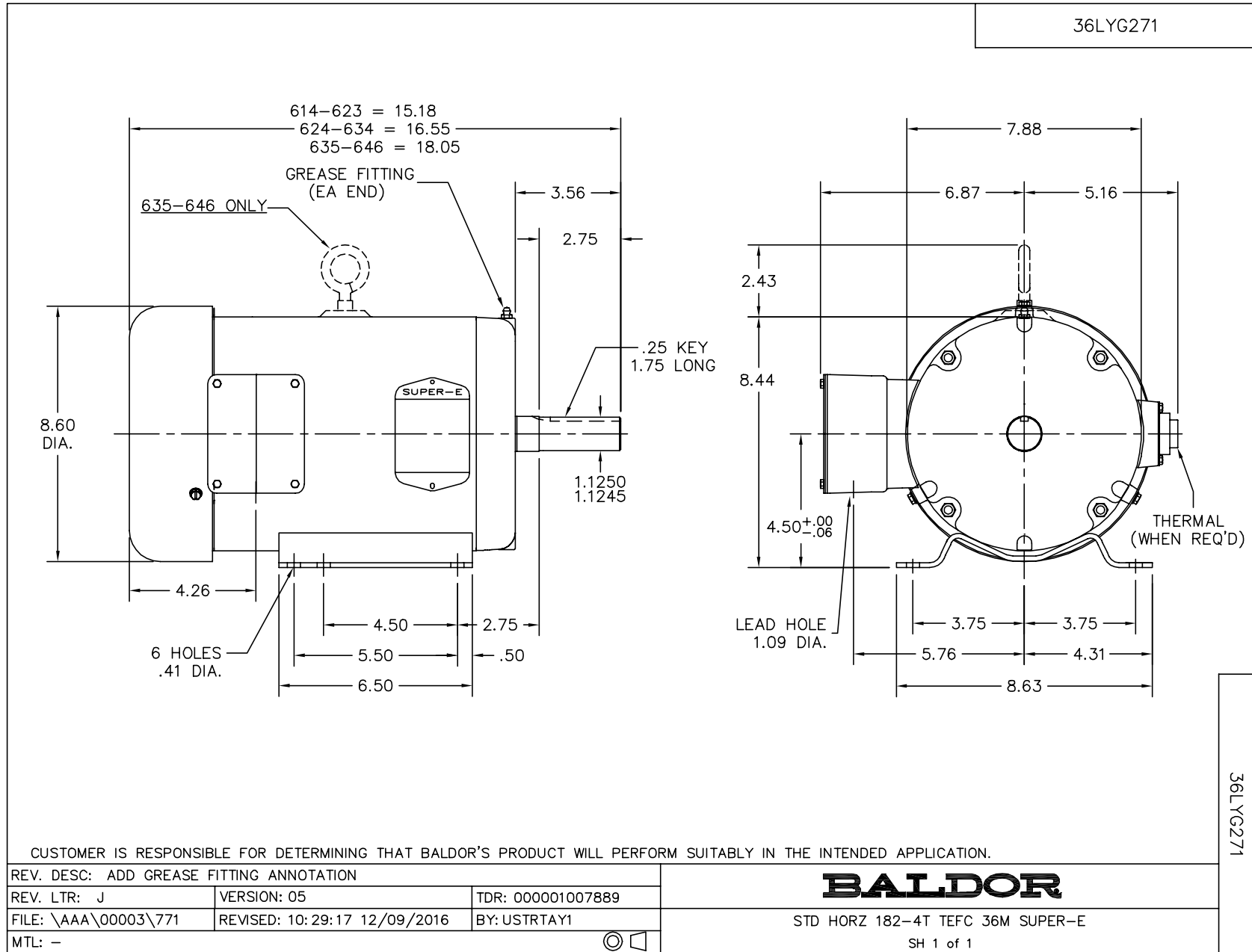
<b>Winding: 36WGQ032-R001</b>		<b>Type: 3642M</b>		<b>Enclosure: TEFC</b>	
<b>Nameplate Data</b>			<b>460 V, 60 Hz: High Voltage Connection</b>		
<b>Rated Output (HP)</b>	5	<b>Full Load Torque</b>	15 LB-FT		
<b>Volts</b>	230/460	<b>Start Configuration</b>	direct on line		
<b>Full Load Amps</b>	13.4/6.7	<b>Breakdown Torque</b>	53.1 LB-FT		
<b>R.P.M.</b>	1755	<b>Pull-up Torque</b>	23.4 LB-FT		
<b>Hz</b>	60 <b>Phase</b>	3	<b>Locked-rotor Torque</b>	34.7 LB-FT	
<b>NEMA Design Code</b>	<b>B KVA Code</b>	J	<b>Starting Current</b>	49.8 A	
<b>Service Factor (S.F.)</b>	1.15	<b>No-load Current</b>	3.31 A		
<b>NEMA Nom. Eff.</b>	89.5	<b>Power Factor</b>	78	<b>Line-line Res. @ 25°C</b>	2.4 Ω
<b>Rating - Duty</b>	40C AMB-CONT		<b>Temp. Rise @ Rated Load</b>	71°C	
<b>S.F. Amps</b>			<b>Temp. Rise @ S.F. Load</b>	86°C	
			<b>Locked-rotor Power Factor</b>	40.6635	
			<b>Rotor inertia</b>	0.391 lb-ft <sup>2</sup>	

**Load Characteristics 460 V, 60 Hz, 5 HP**

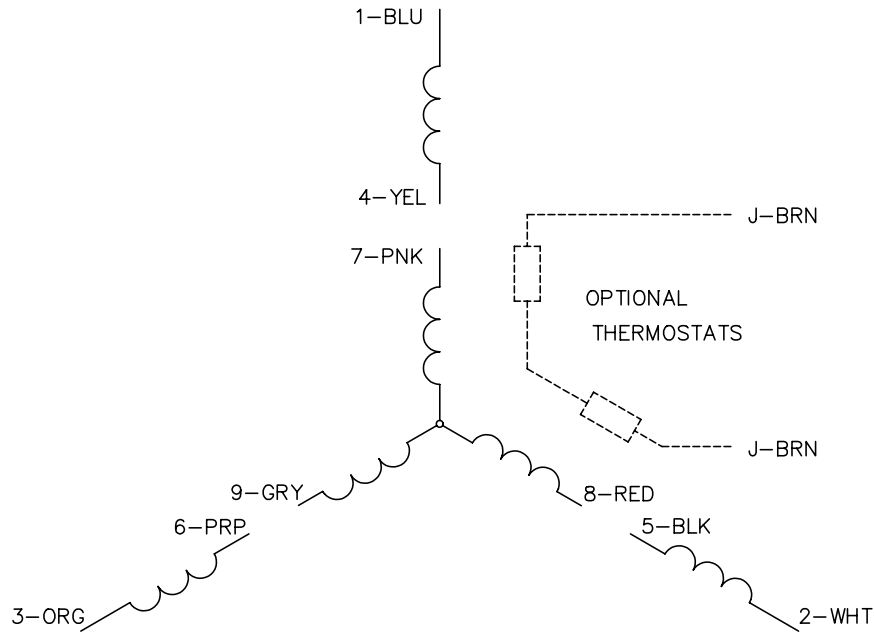
<b>% of Rated Load</b>	<b>25</b>	<b>50</b>	<b>75</b>	<b>100</b>	<b>125</b>	<b>150</b>	<b>S.F.</b>
<b>Power Factor</b>	38	60	72	79	82	84	81
<b>Efficiency</b>	83.8	88.9	89.8	89.5	88.4	86.8	88.8
<b>Speed</b>	1789	1778	1766	1753	1738	1722	1744
<b>Line amperes</b>	3.64	4.39	5.45	6.66	8.08	9.67	7.51

Performance Graph at 460V, 60Hz, 5.0HP Typical performance - Not guaranteed values





CD0005

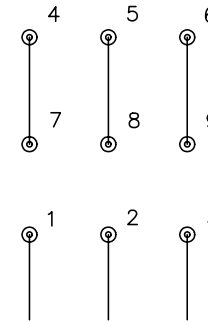


LOW VOLTAGE  
(2Y)



LINE

HIGH VOLTAGE  
(1Y)



LINE

NOTES:

1. INTERCHANGE ANY TWO LINE LEADS TO REVERSE ROTATION.
2. OPTIONAL THERMOSTATS ARE PROVIDED WHEN SPECIFIED.
3. ACTUAL NUMBER OF INTERNAL PARALLEL CIRCUITS MAY BE A MULTIPLE OF THOSE SHOWN ABOVE.
4. LEAD COLORS ARE OPTIONAL. LEADS MUST ALWAYS BE NUMBERED AS SHOWN.

REV. DESC: REVISE TO SHOW OPTIONAL COLORS			
REV. LTR: E	BY: JLP	REVISED: 01/19/99 10:15	TDR: 0171435
90000		FILE: AAA00005140	MDL: -
		MTL: -	

**BALDOR ELECTRIC Co.**

3PH, DV, 9 LEADS

CD0005