

**ACT20P-PRO DCDC II-S****Weidmüller Interface GmbH & Co. KG**

Klingenbergstraße 26

D-32758 Detmold

Germany

www.weidmueller.com

**Product image****ACT20P: The flexible solution**

- Precise and highly functional signal converters
- Release levers simplify handling

**General ordering data**

Version	Signal converter/insulator, 24...230 V AC/DC power supply, Input : I/U universal, Output : I/U universal
Order No.	<a href="#">1481970000</a>
Type	ACT20P-PRO DCDC II-S
GTIN (EAN)	4050118291032
Qty.	1 pc(s).

Creation date October 3, 2022 6:10:45 PM CEST

Catalogue status 23.09.2022 / We reserve the right to make technical changes.

## ACT20P-PRO DCDC II-S

**Weidmüller Interface GmbH & Co. KG**

Klingenbergstraße 26

D-32758 Detmold

Germany

www.weidmueller.com

## Technical data

### Dimensions and weights

Depth	113.7 mm	Depth (inches)	4.476 inch
Height	119.2 mm	Height (inches)	4.693 inch
Width	12.5 mm	Width (inches)	0.492 inch
Net weight	130 g		

### Temperatures

Storage temperature	-40 °C...85 °C	Operating temperature	-25 °C...70 °C
---------------------	----------------	-----------------------	----------------

### Probability of failure

MTBF	76 Years
------	----------

### Environmental Product Compliance

REACH SVHC	Lead 7439-92-1	SCIP	2f6dd957-421a-46db-a0c2-cf1609156924
------------	----------------	------	--------------------------------------

### Input

Input current	configurable, $\pm 0.1\text{mA} \dots \pm 100\text{mA}$	Input resistance, current	< 5 mA: approx. 100 $\Omega$ ; >5 mA: approx. 5 $\Omega$
Input resistance, voltage	approx. 1 M $\Omega$	Input signal	Voltage source, Current source
Input voltage	configurable, $\pm 40\text{mV} \dots \pm 300\text{V}$ , Measuring range. min 40 mV	Number of inputs	1
Sensor	4-wire sensor (with own power supply)		

### Output

Cut-off frequency (-3 dB)	> 10 kHz / < 10 Hz	Load impedance current	$\leq 600\ \Omega$
Offset current	20 $\mu\text{A}$	Offset voltage	< 10 mV
Output current	Adjustable, $0 \dots \pm 20\text{mA}$	Output voltage, note	Adjustable, $0 \dots \pm 10\text{V}$
Status indicator	Green LED	Type	active (as current source) or passive (as current sink), connected control can be active / passive
load impedance voltage	$\geq 1\text{ k}\Omega$		

### Display

Display value	current measured value, Configuration data	Type	Dot-matrix display with ticker text, green
---------------	--	------	--

## ACT20P-PRO DCDC II-S

**Weidmüller Interface GmbH & Co. KG**

Klingenbergstraße 26

D-32758 Detmold

Germany

www.weidmueller.com

## Technical data

### General data

Accuracy	< 0.05 % of measuring range	Configuration	DIP switch, or via display and push-buttons
Galvanic isolation	3-way isolator, between input / output / supply	Power consumption	≤2.3 W
Rail	TS 35	Step response time	≤50 μs
Temperature coefficient	≤0,01% des Messbereichs/°C	Type of connection	Screw connection
Voltage supply	24...230 V DC ±20 %, 24...230 V AC ±10 % @ 48...62 Hz		

### Insulation coordination

EMC standards	EN 60079-0, EN 60079-15, EN 61010-1, EN 61140, EN 61326-1, UL 61010-1, SN29500 for MTBF	Galvanic isolation	3-way isolator, between input / output / supply
Impulse withstand voltage	5 kV (1.2/50 μs)	Insulation voltage	4 kV <sub>eff</sub> , input / output / power supply
Pollution severity	2	Rated voltage	600 V
Surge voltage category	II		

### Data for Ex applications (ATEX)

Marking	II 3 G Ex nA IIC T4 Gc
---------	------------------------

### Connection data

Type of connection	Screw connection	Tightening torque, min.	0.4 Nm
Tightening torque, max.	0.6 Nm	Clamping range, rated connection	2.5 mm <sup>2</sup>
Clamping range, min.	0.5 mm <sup>2</sup>	Clamping range, max.	2.5 mm <sup>2</sup>
Wire connection cross section AWG, min.	AWG 26	Wire connection cross section AWG, max.	AWG 12

### Classifications

ETIM 6.0	EC002653	ETIM 7.0	EC002653
ETIM 8.0	EC002653	ECLASS 9.0	27-21-01-20
ECLASS 9.1	27-21-01-20	ECLASS 10.0	27-21-01-20
ECLASS 11.0	27-21-01-20	ECLASS 12.0	27-21-01-20

### Important note

Product information	<p>The universally configurable DC isolating amplifier ACT20P-PRO DCDC II isolates and converts analogue signals. An analogue input signal (current or voltage) is linearly converted into an analogue output signal (current or voltage) and galvanically isolated. The power supply is galvanically isolated from the input and output (3-way isolation).</p> <p>Properties</p> <ul style="list-style-type: none"> <li>• universal wide-range voltage supply</li> <li>• universally configurable via DIP switch or via the LED display using control buttons</li> <li>• Active or passive signal output</li> <li>• Operating status display on a front panel LED</li> <li>• Galvanic 3-way isolation between input, output and supply.</li> </ul>
---------------------	---

## ACT20P-PRO DCDC II-S

**Weidmüller Interface GmbH & Co. KG**  
 Klingenbergstraße 26  
 D-32758 Detmold  
 Germany

www.weidmueller.com

## Technical data

### Approvals

Approvals



Approvals	CULUS;
ROHS	Conform
UL File Number Search	UL Website
Certificate no. (cULus)	E314307
Certificate no. (cULusEX)	E345958

### Downloads

Approval/Certificate/Document of Conformity	<a href="#">Declaration of Conformity</a> <a href="#">UL - certification Electrical Equipment</a> <a href="#">DNV German Loyd approval</a> <a href="#">ATEX certification</a> <a href="#">UL - certification Hazardous Locations</a>
Engineering Data	<a href="#">CAD data – STEP</a>
Engineering Data	<a href="#">EPLAN, WSCAD, Zuken E3.S</a>
Software	<a href="#">Runtime Software – DIP switch configuration tool</a>
User Documentation	<a href="#">instruction sheet</a>
Catalogues	<a href="#">Catalogues in PDF-format</a>
Brochures	

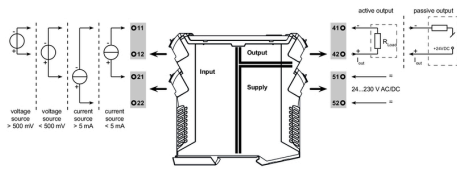
**ACT20P-PRO DCDC II-S**

**Weidmüller Interface GmbH & Co. KG**  
 Klingenbergstraße 26  
 D-32758 Detmold  
 Germany

www.weidmueller.com

Drawings

Wiring



DIP switch setting for standard values

Input range	DIP switch			
	1	2	3	4
configuration via display				
-10...+10 V				
-5...+5V				
0...300 V				
0...100 V				
0...30 V				
0...10 V				
2...10 V				
0...5 V				
1...5 V				
0...150 mV				
0...60 mV				
-20...+20 mA				
0...20 mA				
4...20 mA				
reserved				

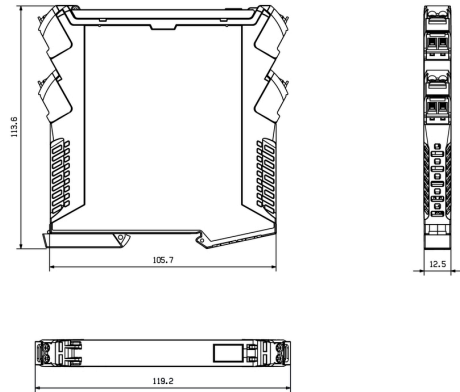
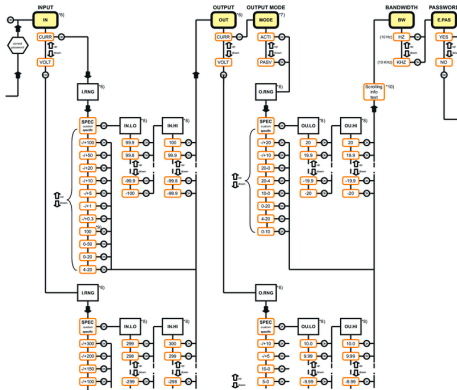
  

Output range	DIP switch			
	5	6	7	8
configuration via display				
-10...+10 V				
-5...+5V				
10...0 V *				
0...10 V				
2...10 V				
5...0 V *				
0...5 V				
1...5 V				
-20...+20 mA				
-10...+10 mA				
20...0 mA *				
0...20 mA				
20...4 mA *				
4...20 mA				
reserved				

■ = ON \* Inverted output range: Output polarity must be reversed!

Dimensioned drawing

Configuration menu (part) universal input / output values



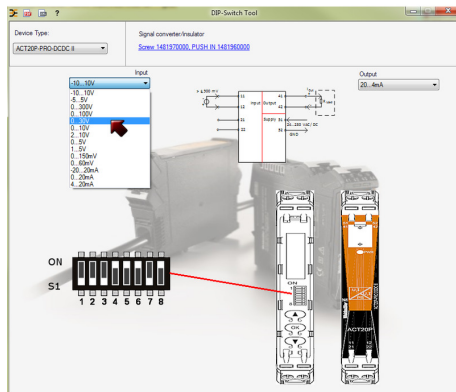
setting via display and push-buttons

**ACT20P-PRO DCDC II-S**

**Weidmüller Interface GmbH & Co. KG**  
Klingenbergstraße 26  
D-32758 Detmold  
Germany

[www.weidmueller.com](http://www.weidmueller.com)

**Drawings**



example for DIP switch setting (with ACT20 tool)