



Main

Range of Product	Modicon X80
Product or Component Type	Discrete output module
Discrete output number	16 EN/IEC 61131-2
Discrete output type	Triac
Discrete output voltage	24...240 V 20...264 V AC
Discrete output current	3 A

Complementary

Network Frequency	50/60 Hz
Network frequency limits	47...63 Hz
Sensor power supply	20...264 V
Current per channel	3 A 104 °F (40 °C) 1.2 A 140 °F (60 °C)
Maximum current per module	10 A 104 °F (40 °C) 4 A 140 °F (60 °C)
Maximum leakage current	1 MA at state 0 24 V 1 MA at state 0 48 V 2 MA at state 0 115 V 2.5 mA at state 0 240 V
Maximum voltage drop	<1.55 V at state 1
Insulation resistance	> 10 MOhm 500 V DC
Power dissipation in W	1.45 W
Response time on output	<= 10 ms resistive activation <= 10 ms resistive deactivation
Typical current consumption	61 MA 3.3 V DC 50 mA 24 V DC
MTBF reliability	788991 H
Protection type	1 external fuse 4 A fast blow
Output overload protection	With varistor
Inrush current	30 A
Maximum current per output common	4 A
Output current limits	0.005...10 A
Status LED	1 LED (Green) module operating (RUN) 1 LED per channel (Green) channel diagnostic 1 LED (Red) module error (ERR) 1 LED (Red) module I/O
Net Weight	0.58 lb(US) (0.264 kg)

Environment

IP Degree of Protection	IP20
Dielectric strength	3000 V AC 50/60 Hz 1 min
Vibration resistance	3 gn
Shock resistance	30 gn
Ambient Air Temperature for Storage	-40...185 °F (-40...85 °C)

Ambient Air Temperature for Operation	32...140 °F (0...60 °C)
Relative humidity	0...95 % 32...140 °F (0...60 °C) without condensation
Operating altitude	0...6561.68 ft (0...2000 m) 2000...5000 m with derating factor

Ordering and shipping details

Category	18160-MODICON M340
Discount Schedule	PC34
GTIN	3606489485047
Nbr. of units in pkg.	1
Package weight(Lbs)	14.32 oz (406.0 g)
Returnability	Yes
Country of origin	FR

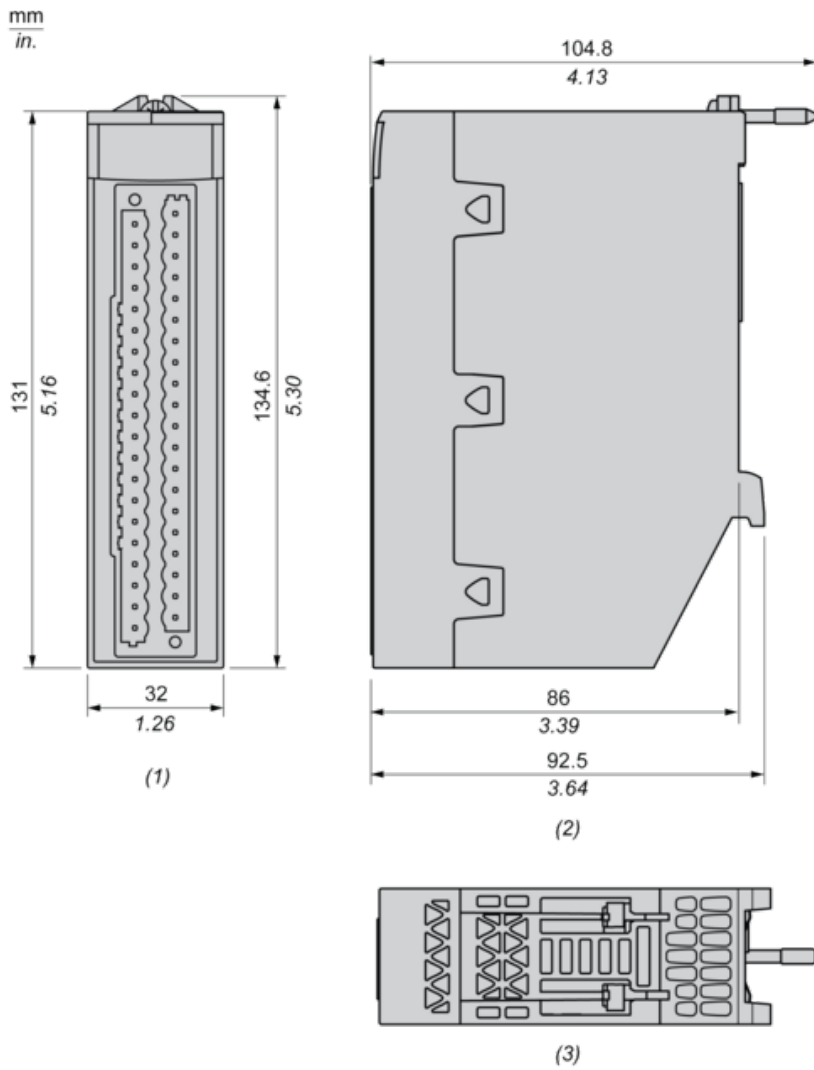
Packing Units

Unit Type of Package 1	PCE
Package 1 Height	2.17 in (5.5 cm)
Package 1 width	7.09 in (18.0 cm)
Package 1 Length	10.24 in (26.0 cm)
Unit Type of Package 2	S03
Number of Units in Package 2	8
Package 2 Weight	8.16 lb(US) (3.7 kg)
Package 2 Height	11.81 in (30.0 cm)
Package 2 width	11.81 in (30.0 cm)
Package 2 Length	15.75 in (40.0 cm)

Offer Sustainability

Sustainable offer status	Green Premium product
California proposition 65	WARNING: This product can expose you to chemicals including: Lead and lead compounds, which is known to the State of California to cause cancer and birth defects or other reproductive harm. For more information go to www.P65Warnings.ca.gov
REACH Regulation	REACH Declaration
EU RoHS Directive	Pro-active compliance (Product out of EU RoHS legal scope) EU RoHS Declaration
Mercury free	Yes
RoHS exemption information	Yes
China RoHS Regulation	China RoHS Declaration
Environmental Disclosure	Product Environmental Profile
Circularity Profile	End Of Life Information
WEEE	The product must be disposed on European Union markets following specific waste collection and never end up in rubbish bins.

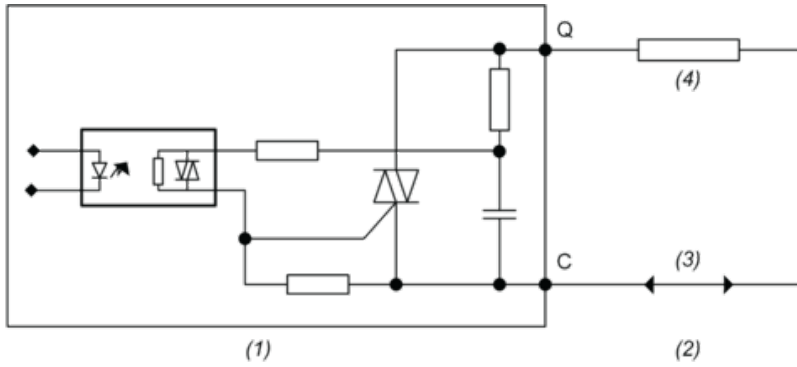
Dimensions



- (1) Front view
- (2) Right view
- (3) Top view

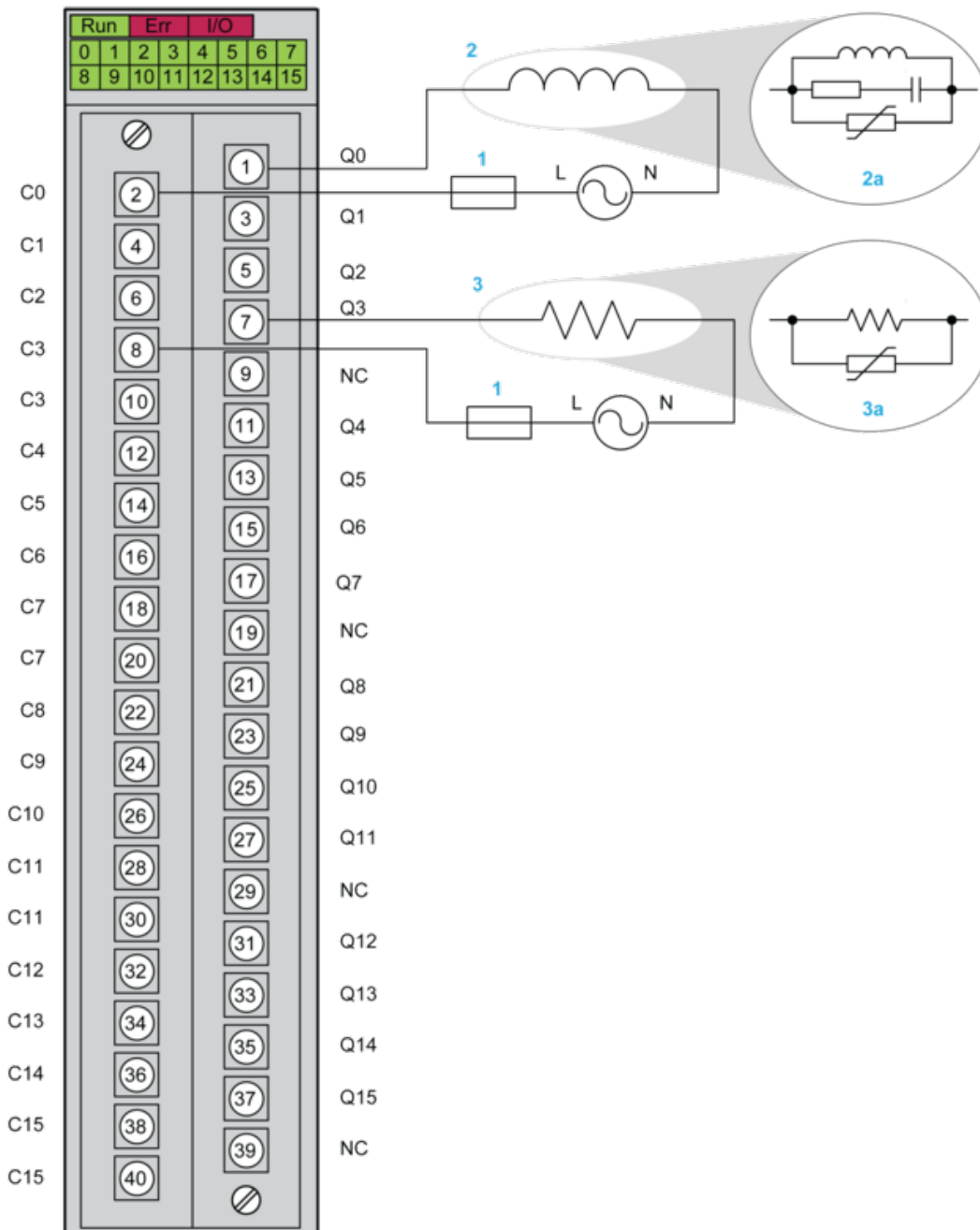
Connecting the Module

Output Circuit Diagram



- (1) Module
- (2) Output
- (3) Power supply
- (4) Pre-actuator

Module Connection



NC: Not connected

1 : 4 A fast blow fuse

2 : Inductive load

3 : Resistive load

2a and 3a : Recommended output protection