

**HDC HD 40 FC****Weidmüller Interface GmbH & Co. KG**

Klingenbergstraße 26

D-32758 Detmold

Germany

www.weidmueller.com



The HD range features a high density of contacts. It is thus optimally suited for signal processing.

The wire connection level is designed as a crimp contact.

The established crimp connection has been used as a standard for decades.

Crimp contacts are not delivered with the inserts.

Number of poles: **40**

Rated current: **10 A**

Rated voltage: **250 V**

Nominal voltage acc. to UL/CSA: **600 V AC/DC**

Crimp connection

**General ordering data**

Version	HDC insert, Female, 250 V, 10 A, Number of poles: 40, Crimp connection, Size: 6
Order No.	<a href="#">1601730000</a>
Type	HDC HD 40 FC
GTIN (EAN)	4008 190022006
Qty.	1 pc(s).

Creation date October 3, 2022 6:12:36 PM CEST

Catalogue status 23.09.2022 / We reserve the right to make technical changes.

## HDC HD 40 FC

Weidmüller Interface GmbH &amp; Co. KG

Klingenbergstraße 26

D-32758 Detmold

Germany

www.weidmueller.com

## Technical data

## Dimensions and weights

Depth	84.5 mm	Depth (inches)	3.327 inch
Height	35 mm	Height (inches)	1.378 inch
Width	34 mm	Width (inches)	1.339 inch
Net weight	63 g		

## Temperatures

Limit temperature	-40 °C ... 125 °C
-------------------	-------------------

## Environmental Product Compliance

REACH SVHC Potassium perfluorobutane sulfonate 29420-49-3

SCIP 1609748e-c278-4c9b-b3d1-e6215d2988cd

Chemical resistance	Substance	Acetone
	Chemical resistance	Resistant
	Substance	Ammonia, watery
	Chemical resistance	Conditionally resistant
	Substance	Petrol
	Chemical resistance	Resistant
	Substance	Benzene
	Chemical resistance	Resistant
	Substance	Diesel oil
	Chemical resistance	Conditionally resistant
	Substance	Acetic acid, concentrated
	Chemical resistance	Resistant
	Substance	Potassium hydroxide
	Chemical resistance	Conditionally resistant
	Substance	Methanol
	Chemical resistance	Conditionally resistant
	Substance	Motor oil
	Chemical resistance	Conditionally resistant
Substance	Lye, diluted	
Chemical resistance	Resistant	
Substance	Hydrochlorofluorocarbons	
Chemical resistance	Conditionally resistant	
Substance	Outdoor use	
Chemical resistance	Conditionally resistant	

## Dimensions

Height of socket	35 mm	Total length base	84.5 mm
Width	34 mm		

## HDC HD 40 FC

Weidmüller Interface GmbH &amp; Co. KG

Klingenbergstraße 26

D-32758 Detmold

Germany

www.weidmueller.com

## Technical data

## General data

BG	6	Conductor cross-section	2.5 mm <sup>2</sup>
Insulating material	PC glass-fibre reinforced (UL-listed and railway-certified)	Insulating material group	IIIa
Insulation strength	10 <sup>10</sup> Ω	Number of poles	40
Plugging cycles, gold	≥ 500	Plugging cycles, silver	≥ 500
Pollution severity	3	Rated current (DIN EN 61984)	10 A
Rated impulse voltage (DIN EN 61984)	4 kV	Rated voltage (DIN EN 61984)	250 V
Rated voltage according to UL/CSA	600 V AC/DC	Series	HD
Size	6	Type	Female
UL 94 flammability rating	V-0	Volume resistance	≤4 mΩ

## Connection data PE

Blade size, crosshead	size PZ 1	Blade size, slotted (PE connection)	SD 0.6 x 3.5, SD 0.8 x 4.0
Connection type PE	Screw connection	Fixing screw	M 4
Rated cross-section	2.5 mm <sup>2</sup>	Stripping length PE connection	10 mm
Tightening torque, max. PE connection	1.5 Nm	Tightening torque, min. PE connection	1.2 Nm
Wire cross section, AWG (PE), max.	AWG 14	Wire cross section, AWG (PE), min.	AWG 20

## Version

BG	6	Conductor cross-section, max.	2.5 mm <sup>2</sup>
Conductor cross-section, min.	0.14 mm <sup>2</sup>	Size	6
Stripping length, rated connection	8 mm	Type of connection	Crimp connection
Volume resistance	≤4 mΩ	Wire connection cross section AWG, max.	AWG 14
Wire connection cross section AWG, min.	AWG 26	Wire connection cross section, finely stranded, max.	2.5 mm <sup>2</sup>
Wire connection cross section, finely stranded, min.	0.5 mm <sup>2</sup>	Wire connection cross-section, finely stranded with wire-end ferrules DIN 46228/4, max.	2.5 mm <sup>2</sup>
Wire connection cross-section, finely stranded with wire-end ferrules DIN 46228/4, min.	0.5 mm <sup>2</sup>	Wire cross-section, solid, max.	2.5 mm <sup>2</sup>
Wire cross-section, solid, min.	0.5 mm <sup>2</sup>		

## Classifications

ETIM 6.0	EC000438	ETIM 7.0	EC000438
ETIM 8.0	EC000438	ECLASS 9.0	27-44-02-05
ECLASS 9.1	27-44-02-05	ECLASS 10.0	27-44-02-05
ECLASS 11.0	27-44-02-05	ECLASS 12.0	27-44-02-05

## Approvals

Approvals



ROHS

Conform

**HDC HD 40 FC**

**Weidmüller Interface GmbH & Co. KG**  
Klingenbergstraße 26  
D-32758 Detmold  
Germany

[www.weidmueller.com](http://www.weidmueller.com)

**Technical data****Downloads**

---

Approval/Certificate/Document of Conformity	<a href="#">Manufacturer's declaration</a>
Engineering Data	<a href="#">CAD data – STEP</a>
Engineering Data	<a href="#">EPLAN, WSCAD, Zuken E3.S</a>
Catalogues	<a href="#">Catalogues in PDF-format</a>
Brochures	<a href="#">FL FIELDWIRING EN</a> <a href="#">FL FIELDWIRING EN</a>

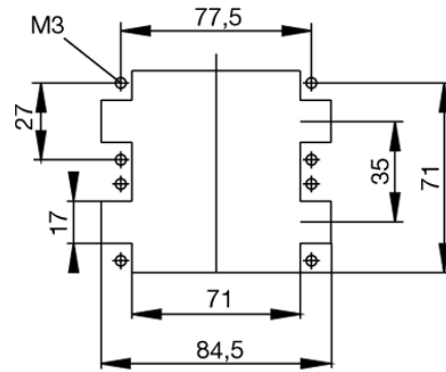
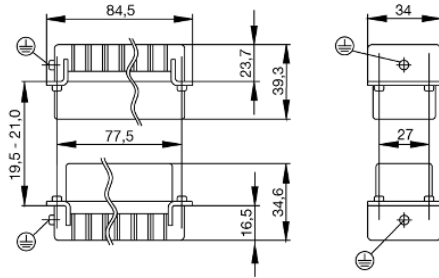
---

HDC HD 40 FC

Weidmüller Interface GmbH & Co. KG  
Klingenbergstraße 26  
D-32758 Detmold  
Germany

www.weidmueller.com

Drawings



# Tightening torques and screwing tools

Screw size	Connector type	Dia. tightening torque in Nm	Recommended blade inserts and AF size for hexagon socket	
<b>M 2.5</b>	<b>Signal contacts</b>			
	S 6/6	0.5 - 0.55	SD 0.6 x 3.5 mm or PZ0	
	S 6/12	0.5 - 0.55	SD 0.6 x 3.5 mm or PZ0	
<b>M 2.9 x 0.5</b>	<b>Fastening screws</b>			
	HQ 4/2	0.8 (plastic) / 1.1 (metal)	SD 0.6 x 3.5 mm or PH0	
	HQ 8	0.8 (plastic) / 1.1 (metal)	SD 0.6 x 3.5 mm or PH0	
	HQ 17	0.8 (plastic) / 1.1 (metal)	SD 0.6 x 3.5 mm or PH0	
<b>M 3</b>	<b>Contact screws</b>			
	HA 3	0.5 - 0.55	SD 0.5 x 3.0 mm	
	HA 4	0.5 - 0.55	SD 0.5 x 3.0 mm	
	HA 10 bis HA 48	0.5 - 0.55	SD 0.6 x 3.5 mm or PH0	
	HE	0.5 - 0.55	SD 0.6 x 3.5 mm or PZ0	
	HVE	0.5 - 0.55	SD 0.6 x 3.5 mm or PZ0	
	<b>Signal contacts:</b>			
	S 4/2	0.5 - 0.55	SD 0.6 x 3.5 mm or PZ0	
	S 4/8	0.5 - 0.55	SD 0.6 x 3.5 mm or PZ0	
	<b>PE connection via female contact</b>			
	S 4	0.5 - 0.8	SD 0.6 x 3.5 mm	
	ConCept modular frame, metal	0.5 - 0.55	SD 0.6 x 3.5 mm	
	<b>PE terminal</b>			
	HQ 5	0.5 - 0.55	SD 0.6 x 3.5 or 0.8 x 4 mm	
	HQ 7	0.5 - 0.55	SD 0.6 x 3.5 or 0.8 x 4 mm	
	<b>Fastening screws</b>	0.5 - 0.55	SD 0.6 x 3.5 mm or PZ0	
	<b>Guide pin</b>	0.5 - 0.55	SD 0.6 x 3.5 mm or PZ0	
	<b>Guide bush</b>	0.5 - 0.55	SD 0.6 x 3.5 mm or PZ0	
	<b>Coding pins</b>	0.5 - 0.55	SD 0.6 x 3.5 mm or PZ0	
	<b>M 4</b>	<b>Contact screws</b>		
		HSB	1.2 - 1.5	SD 0.6 x 3.5 or 0.8 x 4 mm or PZ1
<b>PE connection via male contact</b>				
S 4		0.5 - 0.8	SD 0.6 x 3.5 mm	
ConCept modular frame, metal		1.2 - 1.5	SD 0.6 x 3.5 mm	
<b>PE terminal</b>				
HA		1.2 - 1.5	SD 0.6 x 3.5 or 0.8 x 4 mm or PH1	
HE		1.2 - 1.5	SD 0.6 x 3.5 or 0.8 x 4 mm or PH1	
HEE		1.2 - 1.5	SD 0.6 x 3.5 or 0.8 x 4 mm or PH1	
HVE		1.2 - 1.5	SD 0.6 x 3.5 or 0.8 x 4 mm or PH1	
HD		1.2 - 1.5	SD 0.6 x 3.5 or 0.8 x 4 mm or PZ1	
HDD		1.2 - 1.5	SD 0.6 x 3.5 or 0.8 x 4 mm or PZ1	
S 6/6 (for signal contacts)		1.2 - 1.5	0.8 x 4 mm or PZ1	
ConCept modular frame, plastic		1.2 - 1.5	0.8 x 4 mm or PZ1	
<b>M 5</b>		<b>PE terminal</b>		
	HSB	2 - 2.5	SD 1 x 5.5 mm or PZ2	
	S 4/0 (Screw connection)	2 - 2.5	SD 1.2 x 6.5 mm or PH2	
	S 4/0 (Axial screw connection)	2 - 2.5	SD 0.8 x 4 mm or PZ 2	
	S 4/2	2 - 2.5	SD 1.2 x 6.5 mm or PH2	
	S 4/8	2 - 2.5	SD 1.2 x 6.5 mm or PH2	
	S 6/12	2 - 2.5	SD 0.8 x 4 mm or PZ 2	
	S 6/36	2 - 2.5	SD 1.2 x 6.5 mm or PH2	
	S 8/24	2 - 2.5	SD 1.2 x 6.5 mm or PH2	
	S 12/2	2 - 2.5	SD 1.2 x 6.5 mm or PH2	
	<b>M 6</b>	<b>Power contacts</b>		
S 4/0 (Screw connection)		1.2 (1.5 mm <sup>2</sup> ) / 2 (2.5 mm <sup>2</sup> ) / 3 (4-16 mm <sup>2</sup> )	SD 0.8 x 4 mm	
S 4/2		1.2 (1.5 mm <sup>2</sup> ) / 2 (2.5 mm <sup>2</sup> ) / 3 (4-16 mm <sup>2</sup> )	SD 0.8 x 4 mm	
S 4/8		1.2 (1.5 mm <sup>2</sup> ) / 2 (2.5 mm <sup>2</sup> ) / 3 (4-16 mm <sup>2</sup> )	SD 0.8 x 4 mm	
<b>M 7 x 0.75</b>	<b>Power contacts</b>			
	S 4	1.1 - 1.7	SW 2	
	S 6/6 (+ PE)	6 - 8	SW 4	
<b>M 8 x 0.75</b>	<b>Power contacts</b>			
	S 6/12	1.1 - 1.7	SW 2	
	S 8/0 (+ PE)	6 (10-16 mm <sup>2</sup> ) - 7 (25 mm <sup>2</sup> )	SW 4	
<b>M10 x 1</b>	<b>Power contacts</b>			
	S 4/0 (Axial connection)	2 - 3	SW 3	

Increasing the tightening torque does not improve the contact resistance. The stated torque settings offer optimal mechanical, thermal and electrical conditions. Exceeding the recommended values may even damage the conductor and terminal.