



# LED MR16

## 6.3MR16/LED/F35/930/D/EC/12V T20 10/1FB

Philips LED MR-16 lamps with single optic technology provide the look and color quality of traditional halogens while using a fraction of the energy. A perfect fit for spot lighting, they are compatible with most existing fixtures with MR16 GU5.3 holders and are designed as a retrofit replacement for halogen or incandescent spots.

### Product data

General information	
Cap-Base	GU5.3 [ GU5.3]
EU RoHS compliant	Yes
Nominal Lifetime (Nom)	25000 h
Switching Cycle	50000X

Light technical	
Color Code	930 [ CCT of 3000K]
Beam Angle (Nom)	35°
Luminous Flux (Nom)	470 lm
Luminous Intensity (Nom)	1110 cd
Color Designation	White (WH)
Correlated Color Temperature (Nom)	3000 K
Luminous Efficacy (rated) (Nom)	74.00 lm/W
Color Consistency	<3
Color Rendering Index (Nom)	91
LLMF At End Of Nominal Lifetime (Nom)	70 %

Operating and electrical	
Input Frequency	- Hz
Power (Nom)	6.3 W
Lamp Current (Nom)	600 mA

Wattage Equivalent	
Wattage Equivalent	42 W
Starting Time (Nom)	0.5 s
Warm Up Time to 60% Light (Nom)	0.5 s
Power Factor (Nom)	0.9
Voltage (Nom)	ac electronic 12 V

Temperature	
T-Case Maximum (Nom)	89 °C

Controls and dimming	
Dimmable	Only with specific dimmers

Mechanical and housing	
Bulb Finish	Clear
Bulb Material	Aluminum
Bulb Shape	MR16 [ 2inch/50mm]

Approval and application	
Suitable For Accent Lighting	Yes
Energy Certifications	Energy Star

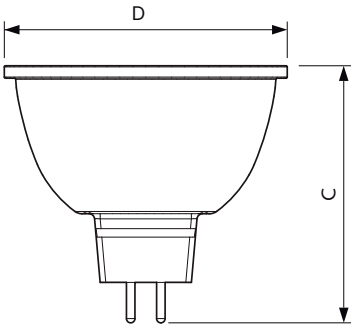
# LED MR16

## Product data

Order product name	6.3MR16/LED/F35/930/D/EC/12V T20 10/1FB
EAN/UPC - Product	046677573560
Order code	929003080604
Numerator - Quantity Per Pack	1

Numerator - Packs per outer box	10
Material Nr. (12NC)	929003080604
Copy Net Weight (Piece)	0.052 kg

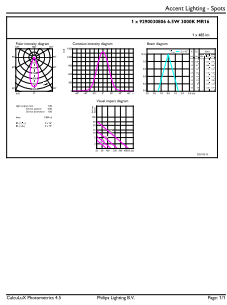
## Dimensional drawing



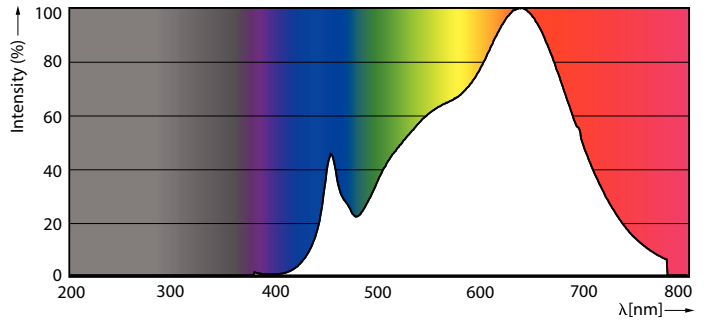
6.3MR16/LED/F35/930/D/EC/12V T20 10/1FB

Product	D	C
6.3MR16/LED/F35/930/D/EC/12V T20 10/1FB	50.5 mm	46 mm

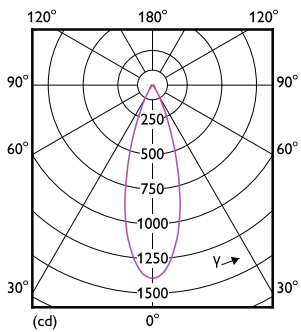
## Photometric data



LEDspots DIM IC 6,3W MR16 GU5,3 930 35D-ADL



LEDspots DIM IC 6,3W MR16 GU5,3 930 25D-POC



LEDspots DIM IC 6,3W MR16 GU5,3 927 35D-LDD

# LED MR16

## Lifetime



Life Expectancy Diagram

Lumen Maintenance Diagram

