

SAI-Y-5S- M12/M12

Weidmüller Interface GmbH & Co. KG
Klingenbergstraße 26
D-32758 Detmold
Germany

www.weidmueller.com



General ordering data

Version	Y connector, M12 / M12
Order No.	1826880000
Type	SAI-Y-5S- M12/M12
GTIN (EAN)	4032248330393
Qty.	1 pc(s).

Creation date October 3, 2022 6:44:43 PM CEST

Catalogue status 23.09.2022 / We reserve the right to make technical changes.

SAI-Y-5S- M12/M12**Weidmüller Interface GmbH & Co. KG**

Klingenbergstraße 26

D-32758 Detmold

Germany

www.weidmueller.com

Technical data**Dimensions and weights**

Net weight 22.9 g

Environmental Product Compliance

REACH SVHC Lead 7439-92-1

Connection data

Group outlet - plug-in connector	M12 pin	Single outlet 1 - plug-in connector	M12 socket
Single outlet 2 - plug-in connector	M12 socket	Tightening torque	M12: 0.8 - 1.2 Nm

Technical data customisable plug-in connectors

Coding	A	Housing main material	PBT
Number of poles	5	Pollution severity	3
Protection degree	IP67	Rated current	4 A
Rated voltage	24 V	Shield connection	No
Temperature range of housing	-25...+90 °C		

Standards

Connector standard IEC 61076-2-101

General data

Coding	A	Conductor O.D.	-
Connection thread	M12 / M12	Housing main material	PBT
Number of poles	5	Pollution severity	3
Protection degree	IP67	Rated current	4 A
Rated voltage	24 V	Shield connection	No
Temperature range of housing	-25...+90 °C		

Classifications

ETIM 6.0	EC002925	ETIM 7.0	EC002925
ETIM 8.0	EC002925	ECLASS 9.0	27-44-01-06
ECLASS 9.1	27-44-01-06	ECLASS 10.0	27-44-01-06
ECLASS 11.0	27-44-01-06	ECLASS 12.0	27-44-01-06

Approvals

Approvals



ROHS Conform

Downloads

Engineering Data	CAD data – STEP
Catalogues	Catalogues in PDF-format
Brochures	FL FIELDWIRING EN FL FIELDWIRING EN

Creation date October 3, 2022 6:44:43 PM CEST

Catalogue status 23.09.2022 / We reserve the right to make technical changes.

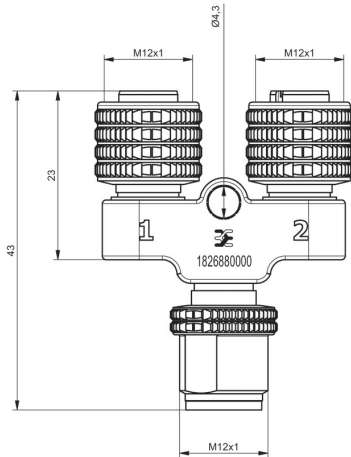
SAI-Y-5S- M12/M12

Weidmüller Interface GmbH & Co. KG
 Klingenbergstraße 26
 D-32758 Detmold
 Germany

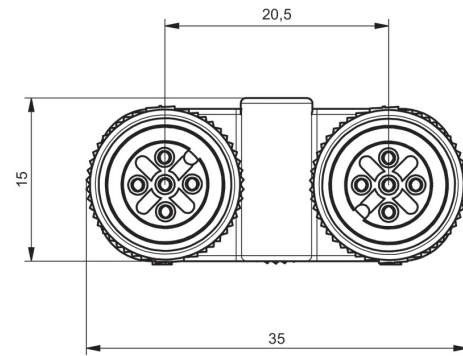
www.weidmueller.com

Drawings

Dimensioned drawing

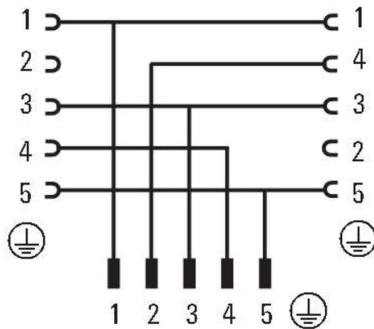


Dimensioned drawing



Wiring diagram

1. Female M12 2. Female M12



Male M12